

# Compact

ELECTRIC  
LITHIUM  
DIESEL



## Snow tank volume

1.8 m<sup>3</sup> / compacted 2.25 m<sup>3</sup>  
(63.6 ft<sup>3</sup> / compacted 79.5 ft<sup>3</sup>)



## Water tank volume

600 l (158.5 gal)



## Blade width

1,700 mm (66 7/8 in)



## Fields of operation

Mobile / Event



elmi home 24h shopping

BIÈRE  
BEER



rothoblaas

rothoblaas

rothoblaas

rothoblaas

KAROS  
MORAN

FLA  
AUGEN  
K

# THE CHAMPION FOR YOUR EVENT

Whether it's a sporting event or ice skating at the Christmas market: The WM Compact is the compact professional ice resurfacer of choice for smaller ice rinks and large mobile ice rinks. Fitted with powerful diesel engine drive, it is suitable for use outdoors, while the electric model with emission-free AC motor is suitable for indoor use. The WM Compact resurfaces ice as well as any large professional machine, guaranteeing outstanding ice quality on smaller areas of up to 1,200 m<sup>2</sup> (12,912 ft<sup>2</sup>).



HIGHLIGHT

## ***PROFESSIONAL QUALITY ICE RESURFACING***

The robust WM Compact is easy to operate and provides outstanding comfort for the driver. With its tried and tested planing system, snow-breaker and integrated side brushes, the WM Compact guarantees perfect, professional ice resurfacing. The result? Outstanding ice even on smaller, mobile ice rink surfaces, and skating at its absolute best!





## ICE RESURFACING



Planing system



Snow tank inspection hatch



Brush



Snow tank open

The WM Compact planes the ice like a large-scale pro! The hydraulic brushes ensure perfectly smooth edges. The coated snow tank can be removed easily.

**600 LITRES (158.5 GALLONS) WATER** ■  
**OUTSTANDING PLANING PERFORMANCE** ■  
**EASE OF REMOVAL** ■

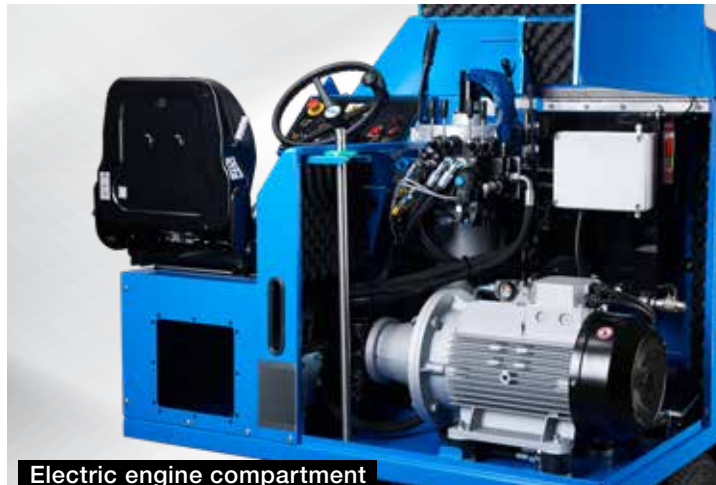
## SERVICE & MAINTENANCE



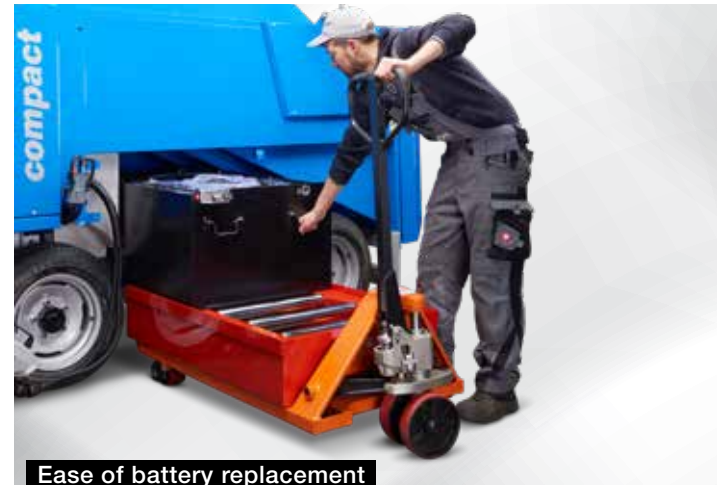
**Diesel engine compartment**



**Saves time: Battery watering system**



**Electric engine compartment**



**Ease of battery replacement**

The engine area is easily accessible, with no dismantling required. Maintenance is quick and inexpensive. The long-life Fronius battery charging system guarantees high energy efficiency and low operating costs.

**EASILY AND QUICKLY ACCESSIBLE** +

**LOW MAINTENANCE COSTS** +

**ENERGY EFFICIENT** +

# ELECTRIC / LITHIUM



## INCLUDED IN DELIVERY



2 blades in transport sheath



2 towels



2 rubber mats



6-mm hexagon socket T wrench



Multi-purpose key



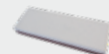
Set hexagonal socket screws



Bodywork key



Laceration-proof safety gloves



Grindstone



Storz coupling D  
ø 25 mm (ø 1 in)



Fuse set



Operating instructions



Online spare parts catalogue



## FACTS & FIGURES

|                     |  |
|---------------------|--|
| Motor               | Asynchronous motor   |
| Drive power         | 15 kW  |
| AC motor controller | AC Curtis  |
| Idle revolutions    | 900 rpm  |
| Drive revolutions   | 1,900 rpm  |
| Transmission        | continuously adjustable<br>hydraulic four-wheel drive  |
| Speed               | 0 - 12 km/h (0 - 7.5 mph)  |
| Snow tank           | 1.7 m <sup>3</sup> (60 ft <sup>3</sup> ) –<br>compacted 2.1 m <sup>3</sup> (74.2 ft <sup>3</sup> ) |
| Water tank          | 600 l (158.5 gal)<br>stainless steel   |
| Tyres               | 175 / 70 R 14C<br>2 rows of spikes   |

## STANDARD EQUIPMENT

|  |
|--|
| Snow breaker   |
| Hydraulically driven and swivelling side brush   |
| Parking brake  |
| Board guide pulley   |
| Side mirror, rear  |
| Side headlight   |
| Flashing warning light   |
| Audible signal for reverse drive   |
| Maintenance-free asynchronous motor  |
| Indicators on the drivers station: water tank level,<br>battery state of charge, current consumption, status<br>motor controller |
| Coated snow bin  |
| PLC control  |
| Spring-suspended driver's seat   |
| Easily accessible engine compartment (tiltable bonnet)   |
| 2 blades   |
| 2 towels   |
| Scope of delivery set  |



### Snow tank volume

1.7 m<sup>3</sup> / compacted 2.1 m<sup>3</sup>  
(60 ft<sup>3</sup> / compacted 74.2 ft<sup>3</sup>)



### Water tank volume

600 l (158.5 gal)



### Blade width

1,700 mm (66 7/8 in)



### Fields of operation

Mobile / Event

# DIESEL



## INCLUDED IN DELIVERY



2 blades in transport sheath



2 towels



2 rubber mats



6-mm hexagon socket T wrench



Multi-purpose key



Set hexagonal socket screws



Bodywork key



Laceration-proof safety gloves



Grindstone



Storz coupling D  
ø 25 mm (ø 1 in)



Fuse set



Operating instructions



Online spare parts catalogue

## FACTS & FIGURES

|                         |   |
|-------------------------|---|
| <b>Engine</b>           | Kohler KDW 1404,<br>4 cylinders 1,372 cm <sup>3</sup> (84 in.cu)                                      |
| <b>Power</b>            | 25.60 HP (18.80 kW) -<br>2,700 rpm  |
| <b>Torque</b>           | 66.50 Nm (49 lb-ft) - 2,000 rpm   |
| <b>Operating torque</b> | 2,600 rpm   |
| <b>Fuel tank</b>        | 27 l (7.1 gal) diesel   |
| <b>Transmission</b>     | continuously adjustable<br>hydraulic four-wheel drive   |
| <b>Speed</b>            | 0 - 12 km/h (0 - 7.5 mph)   |
| <b>Snow tank</b>        | 1.8 m <sup>3</sup> (63.6 ft <sup>3</sup> ) –<br>compacted 2.25 m <sup>3</sup> (79.5 ft <sup>3</sup> ) |
| <b>Water tank</b>       | 600 l (158.5 gal)<br>stainless steel  |
| <b>Weight</b>           | 1,650 kg (3,637 lbs)  |
| <b>Tyres</b>            | 175 / 70 R 14C<br>2 rows of spikes  |

## STANDARD EQUIPMENT

|  |
|--|
| Snow breaker   |
| Hydraulically driven and swivelling side brush   |
| Parking brake  |
| Board guide pulley   |
| Hydraulic oil cooler   |
| Side mirror, rear  |
| Side headlight   |
| Flashing warning light   |
| Audible signal for reverse drive   |
| Indicators on the drivers station: water tank level,<br>fuel tank level, engine rpm with control lamps |
| Coated snow bin  |
| PLC control  |
| Spring-suspended driver's seat   |
| Easily accessible engine compartment (tiltable bonnet)   |
| 2 blades   |
| 2 towels   |
| Scope of delivery set  |



### Snow tank volume

1.8 m<sup>3</sup> / compacted 2.25 m<sup>3</sup>  
(63.6 ft<sup>3</sup> / compacted 79.5 ft<sup>3</sup>)



### Water tank volume

600 l (158.5 gal)



### Blade width

1,700 mm (66 7/8 in.)



### Fields of operation

Mobile / Event

# OPTIONALS

## Suction system



Suction manifold

## Wash system



Screw conveyor wash system vertical

## Overview & security



Side mirror front left



Side mirror front right

## Comfort



Driver's seat with heated seat  
*Seat pad*



Acquastop valve with time relay

## Lighting



Front headlights

## Personalization



Custom colour body  
*Paint, 1 RAL colour*



Painting frame & planing unit  
*Paint, 1 RAL colour*



Wrapping

## Service



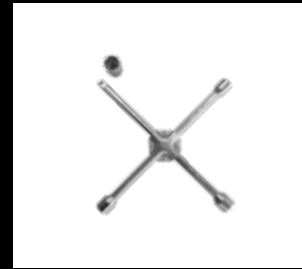
Battery trolley



Battery water filling system  
for lead-acid-battery



Spare wheel 14"



Cross-key



Lifting jack with bar 3t



Tool kit



Diagnostic cables  
Controller



Diagnostic cable  
BMS



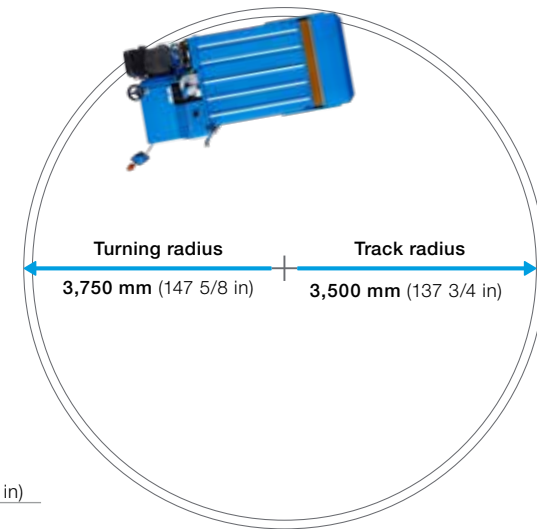
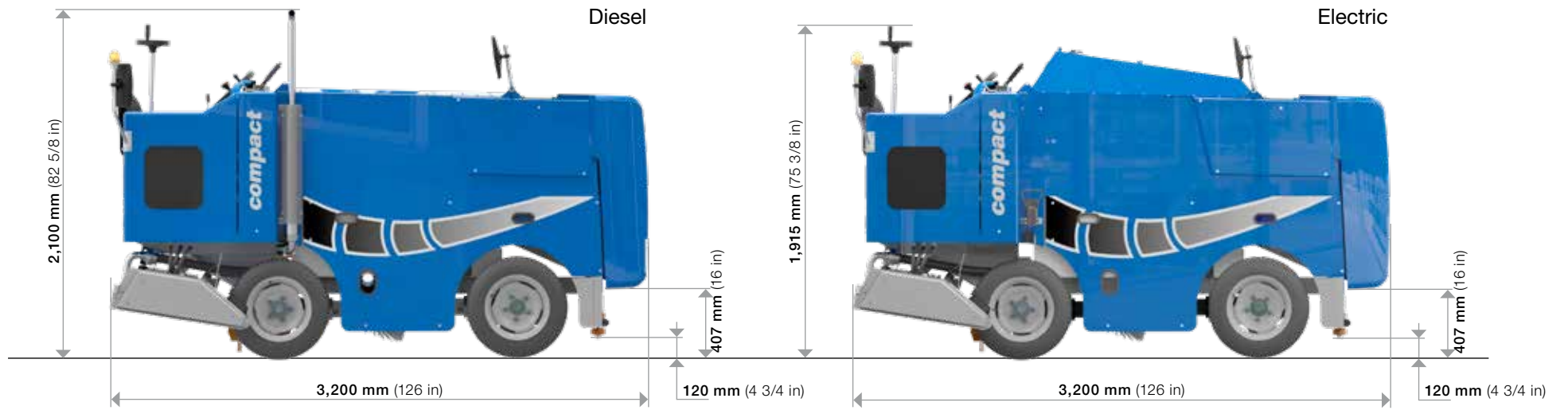
Access BMU  
Battery-Monitoring-Unit

## Accessories



Groove-harrow  
for Bavarian Curling

# DIMENSIONS





# WM COMPACT DIESEL







# OUR COMMITMENT

## User friendliness

Through the use of top-quality components together with a well-planned design, maintenance work is extremely simple and is reduced to a minimum.



## Quality guarantee

The WM Compact is a product which has been developed, built and assembled in house, from start to finish. Only by doing so can we guarantee top quality and punctual delivery times.



## Detailed operating instructions

You can find all information on operation, maintenance and safety in the operating manual.

## The right replacement part, every time

Order your spare parts easily and conveniently from our online portal *Blue Shop*: Our series number and digital image system enable you to find the part you need with just one click.



### Service and support

Our well-networked, international team of technicians undergo constant training and will be delighted to help you whenever you require assistance.



### Series production

All WM ice technics vehicles are series-manufactured. We know exactly which parts have been used in each series run, and can deliver the correct spare parts to you at all times. At the same time, a number of optionals can be retrofitted with minimum effort and maximum precision, even years later.

### Quality consciousness

From the manufacture of individual parts right through to the final quality-control inspection: Every step of the process is carried out and monitored with the utmost of precision. Each and every member of our staff is well-trained in his specialist field, and carries out all tasks conscientiously. This is a great advantage for our customers, who can be sure of receiving a technologically sophisticated product which has been manufactured to the very highest of quality standards.





www.wm-on-ice.com  
Italy

WM ice technics relies on the following distribution partners in North America:



**Autoworq**  
Montreal (Québec)  
Phone 1-866-973-1333  
www.autoworq.com



**LSK Enterprises**  
Virginia Beach (VA)  
Phone 1-757-366-0166  
www.lskenterprises.com



**Outdooricerinks.com**  
Strongsville (OH)  
Phone 1-440-628-7979  
www.outdooricerinks.com



Mobile / Event

Pro / Heavy duty



**Compact**



**evo**